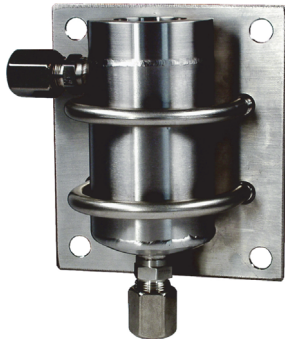
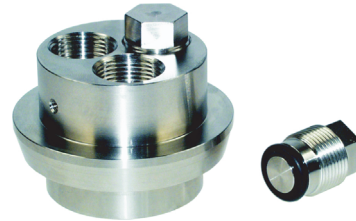


**Product Information**

**Flow-Tank DFG**



**Accessories**



Lid with 3 x PG13.5 process connections and blind gland VS

**Characteristics**

For continuous analysis measurement with pH-, ORP-cells in liquid media with installation length of max. 120 mm.

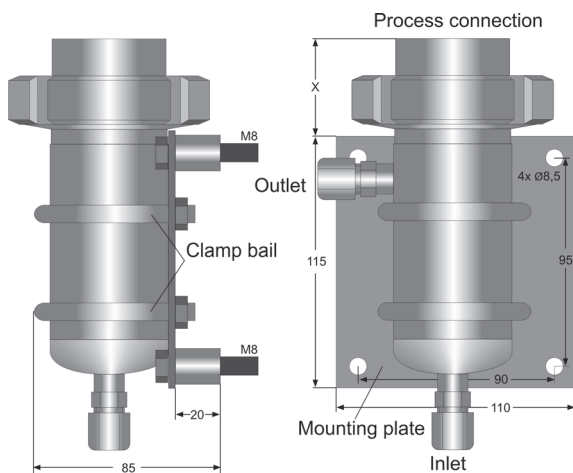
**Technical data**

Material : stainless steel 1.4571  
 Process pressure : max. 16 bar  
 Operating temperature : max. 140 °C  
 Process connection : PG 13.5, G ¼ B or G1A  
 Inlet-, outlet : clamping sleeve for pipes 10x2 mm  
 Tank diameter : 54 mm

**Ordering code**

DFG -  1. -  2. -  3.

**Dimensions**



<b>1. Model</b>	
50	measuring tank D=54 mm
<b>2. Process connection</b>	
1 x PG13.5	*X = 45 mm
3 x PG13.5	*X = 45 mm
3 x G ¼ B	*X = 45 mm
1 x G 1 A	*X = 27 mm
<b>3. Options</b>	
00	without option
<b>Accessories</b> (stainless steel 1.4571)	
MP50	mounting plate incl. Mounting parts
RSB50	2 clamp bails incl. Bolt nuts
VS PG13,5	blind glands PG13.5